

TEREX PT3000 SITE DUMPER

Engine

Model	Kubota V2203M
Power	43 hp (32.4 kW)

Bucket Capacities

Payload	6,614 lbs (3,000 kg)
Water	1.6 yd ³ (1,250 L)
Struck	2.1 yd ³ (1,600 L)
Heaped	2.6 yd ³ (1,950 L)

Transmission & Ground Speed (4WD)

Type	3/1 manual - permanent 4WD
Speed	12 mph (19 kph)

Tires

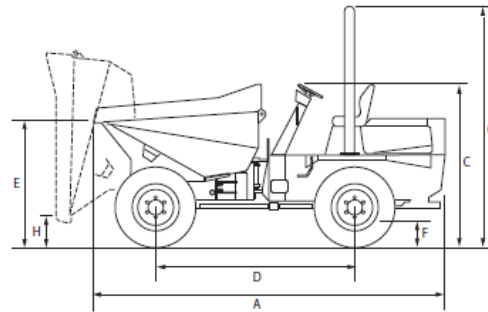
Rough Terrain	11.5/80x15.3x8 ply
---------------	--------------------

Operating Weight

Weight	4,982 lbs (2,260 kg)
--------	----------------------

Breakes

Enclosed, oil immersed, multi-plate disc brakes.



A	Total length	148 in (3,755 mm)
B	Total width	77 in (1,950 mm)
C	Height to top of steering wheel	73 in (1,860 mm)
D	Wheelbase	77 in (1,950 mm)
E	Height from bucket tip	56 in (1,430 mm)
F	Ground clearance	12 in (300 mm)
G	Height to top of ROPS	106 in (2,680 mm)
H	Height to front lip of bucket	10 in (250 mm)
	Turning radius outside of bucket	14'4" (4,350 mm)
	Weight	4,982 lbs (2,260 kg)
	Steering angle	+/- 30°
	Oscillation	+/- 10.5°
	Tipping type	Forward

Electrical System

Voltage	12 V
Battery	74 Ah
Alternator	55 A

Braking System

Foot Brake	Oil immersed discs on front/rear
Parking Brake	Over center handbrake - Oil immersed disc front axle